

# NEOX™



Tilt-in-Space



*The NEOX™ pushes the boundaries  
of mobility!*



PHYSIPRO

## SIX-WHEEL CONFIGURATION

The addition of caster wheels reduces the turning radius and makes the NEOX more stable and easier to propel while in a tilted position.

## ADAPTIVE DESIGN

The elongated, telescopic shapes in the NEOX frame are precision designed. The slidable tubing allows for fast, accurate positioning.

## ADJUSTMENTS

Adjustable in width, depth and height.

## ARMREST

Solid push up armrest.

## DYNAMIC BACKREST

An optional dynamic backrest offers protection from uncontrolled movement and helps reduce wheelchair damage.







**SILVER**



**CARBON**



**MATTE**

**BLACK**



**GLOSSY**

**BLACK**



**SPARKLE**

**PURPLE**



**PLUM**



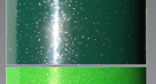
**CANDY**

**RED**



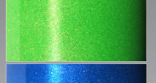
**SPARKLE**

**GREEN**



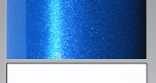
**CANDY**

**GREEN**



**CANDY**

**BLUE**



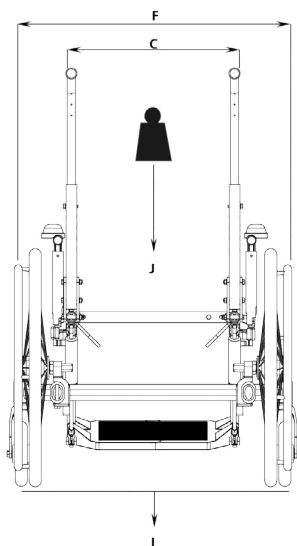
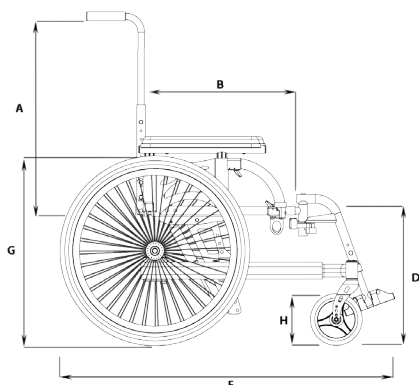
**WHITE**



**12" Rear wheel  
also available**



# Specifications :



<b>A Backrest Height</b>	12" to 25"
<b>B Seat Depth</b>	14" to 22" ( $\pm 1$ " adjustable)
<b>C Seat Width</b>	Small Frame 14" to 19" / Extended Frame 19" to 22" / HD Frame 20" to 26"
<b>D Seat to Floor height</b>	13" to 20"
<b>E Overall length</b>	42"
<b>F Overall Width</b>	+8" to +12" based on option chosen
<b>G Rear Wheel diameter</b>	12", 16", 20", 22", 24"
<b>H Front Wheel diameter</b>	5", 6", 8"
<b>I Transport weight*</b>	Neox 4 wheels: 50.8 lb Neox 6 wheels: 55.8 lb
<b>J Maximum Load</b>	250 lb / 350 lb
<b>Backrest Angle</b>	85° to 115°, (5° increment)
<b>Tilt</b>	(-) 5° to 45°
<b>Armrest :</b>	
« U » Type	7" to 12"
« U » Type lowered	6" to 9"
<b>Footrest :</b>	60° - 70° - 90° (foldable & adjustable in height by 5")
<b>Legrest :</b>	elevating/articulating legrest

\* Weight based on 16" x 16" wheelchair with all standard features.

## Canada

370, 10th South Ave.  
Sherbrooke (Quebec) J1G 2R7  
Canada

1 800 668-2252  
info@physipro.com



# PHYSIPRO

www.physipro.com

## Europe

Village des entrepreneurs  
461, rue Saint-Léonard  
49000 Angers  
France

02 41 69 38 01  
contact@physipro.fr