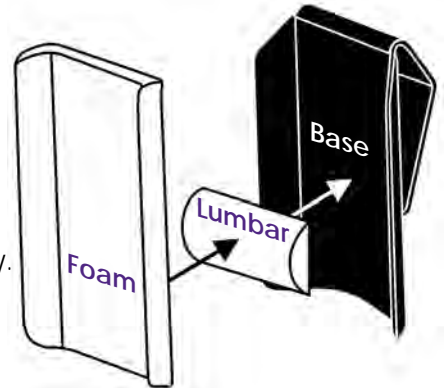


No-Hardware Back Support

Did you know patients that are eligible for a manual wheelchair or some power wheelchairs under Medicare are automatically eligible for a basic back?
Do your patients need posture support for your slingback/folding wheelchairs?

EASY CLIP BACK *POSTURE SUPPORT FOR A SLINGBACK WHEELCHAIR*

Our new Easy Clip Back is a basic wheelchair back designed to provide the user with more firm back support. It's comfortably contoured with an adjustable lumbar pad included.



NO HARDWARE NEEDED!
 Simply slip it over the existing upholstery.



KLIP

**NO ASSEMBLY...NO LABOR
 NO HARDWARE...NO TOOLS
 IT'S EASY!**

PERFECT FOR:
Durable Medical Equipment Companies, Rental Chairs, Rehab Facilities, Nursing Homes, Long Term Care Facilities, and Home Health users can take it wherever their wheelchair goes!

NEW EASY CLIP BACK

Features:

- Provides a stable backrest support
- Simple to install and remove
- Super lightweight
- Removable washable cover

CE compliant

Description	Part Number
Easy Clip Back, 14" wide x 14" tall	50017
Easy Clip Back, 16" wide x 16" tall	50018
Easy Clip Back, 18" wide x 16" tall	50019

Case Price Discount for any 10 Easy Clip Backs

Any sizes can be combined for a quantity of 10
(case price discount cannot be combined with any other discount)



CUSTOM SEATING

BODY POSITIONING

WHEELCHAIR TRAYS

ASSISTIVE TECHNOLOGY

PATIENT TRANSFER



2. English



Easy Clip Back 50017, 50018, 50019



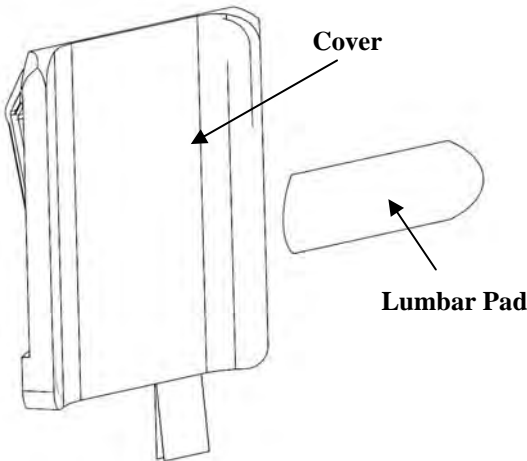
*Document 08672
Revision B 12-2015*

Easy Clip Back

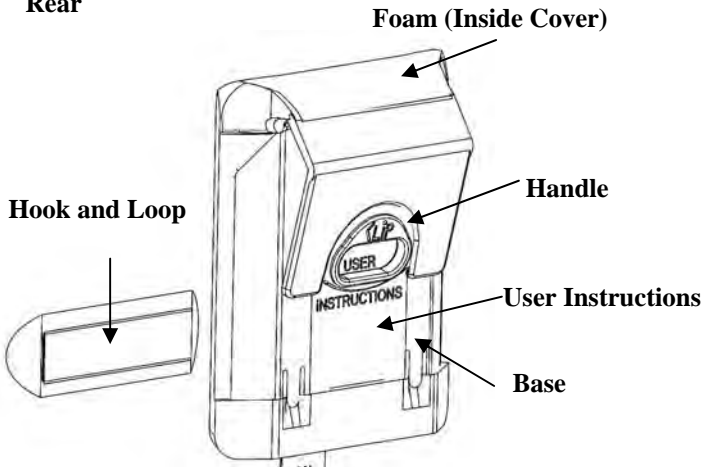
- ⚠ Caution: Read Instructions before operating device.
- ⚠ Caution: Device should be installed by a trained wheelchair technician.
- ⚠ Caution: Use caution when installing, removing or adjusting device to avoid pinching or trapping fingers.
- ⚠ Caution: Device should be fitted by a trained Assistive Technology Professional

Product Identification

Front

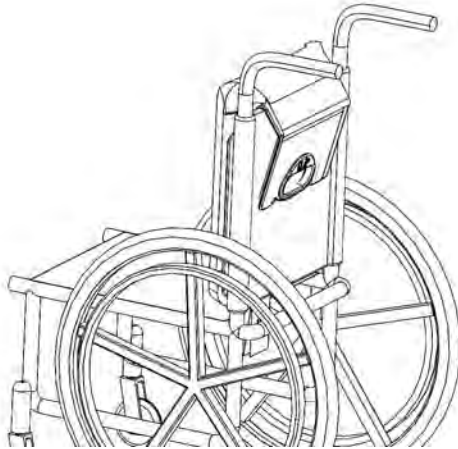


Rear

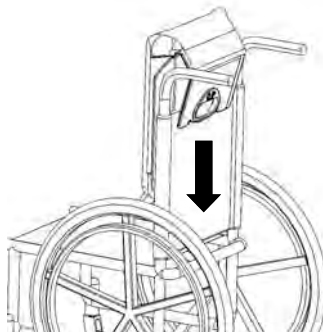
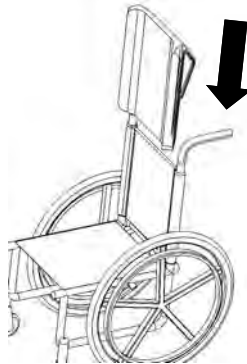


To Install:

Image below shows installed device.



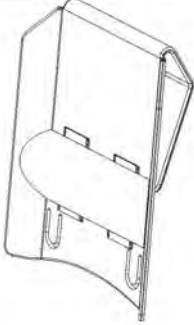
1: Slide back down over wheelchair upholstery



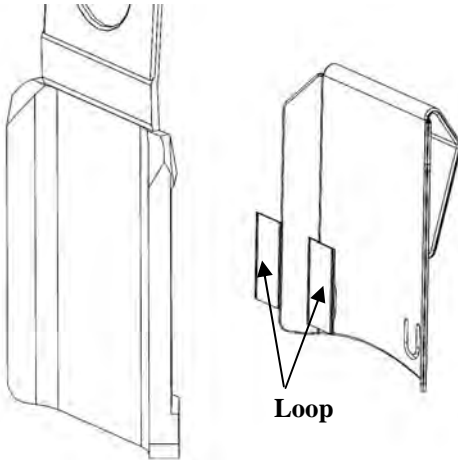
Easy Clip Back

To Install Lumbar Pad:

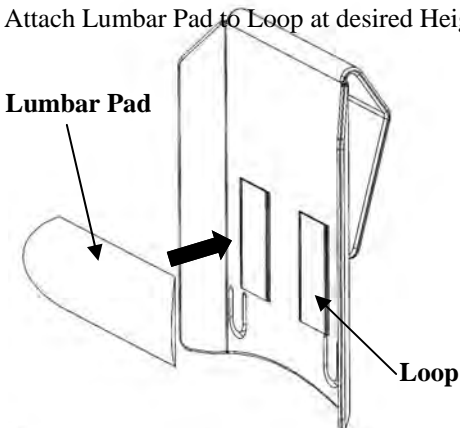
Image below shows installed device.



1: Remove Cover. Peel Paper and Attach Loop to Back

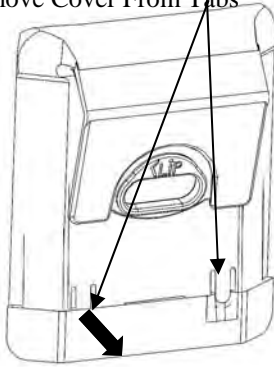


2: Attach Lumbar Pad to Loop at desired Height

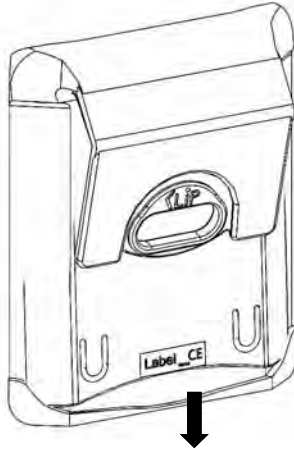


To Remove Cover:

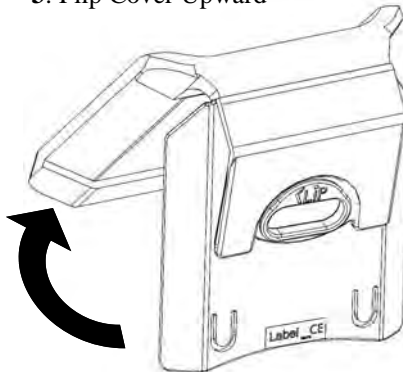
1: Remove Cover From Tabs



2: Pull Cover Down Off Base



3: Flip Cover Upward



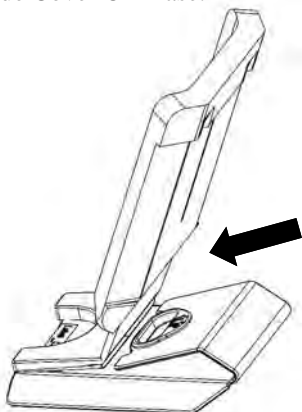
Easy Clip Back

To Remove Cover:

4: Continue to Flip Cover Over.



5: Slide Cover Off Base.



To Install Cover:

1: Reverse Above Procedure.

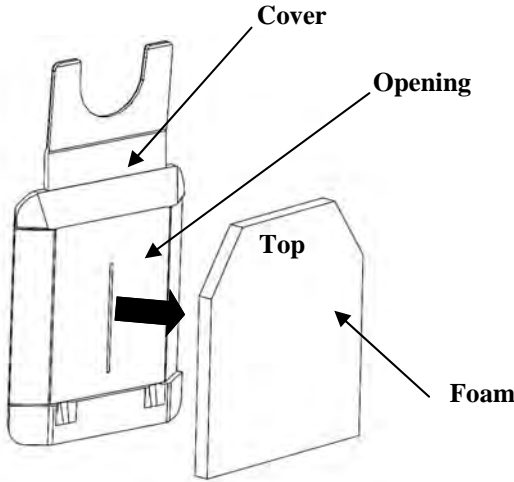
Warranty

Any product found to be defective due to the material or workmanship within one year will be replaced under our return policy following product evaluation by Therafin Corporation. This replacement warranty does not include misuse or neglect of the product.

*Document 08672
Revision B 12-2015*

Care and Cleaning

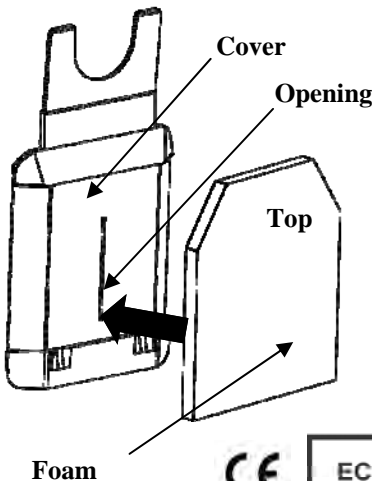
1: Remove Cover.



3: Machine Wash in Warm (40° C) Water with Mild Detergent.
Tumble Dry Low



4: Reinstall Foam in Opening



 Therafin Corporation
9450 W Laraway Road
Frankfort, IL 60432 USA
800-843-7234
www.therafin.com

Foam



EMERGO EUROPE
Molenstraat 15
2513 BH, The Hague
The Netherlands