

**permobil**

POWER WHEELCHAIRS

**ONE CHAIR.  
ENDLESS OPTIONS.**



**M1**

## ADAPTABLE SEATING & POSITIONING

Open and sleek design with 1" diameter rigid tubular backrest frame allows mounting of virtually any seating and positioning solution. You can now select from a variety of positioning options from a simple curved back to custom molded seating – all with minimum loss of seat depth.



CUSTOM MOLDED SEATING



ROHO® AGILITY® MAX CONTOUR



ROHO® QUADRO SELECT® HIGH PROFILE®



ROHO® HYBRID ELITE SR®

## ENDLESS OPTIONS

Designed to meet your individual needs, the M1 accommodates ROHO® seating & positioning solutions as well as third party options.

## DURABILITY YOU CAN FEEL

You can feel confident that your chair can withstand the rigors of an active lifestyle. The M1 features locking, flip back arm rests with two points of contact for added security. Center mount and swing-away legrest options designed for durability and ease of use.

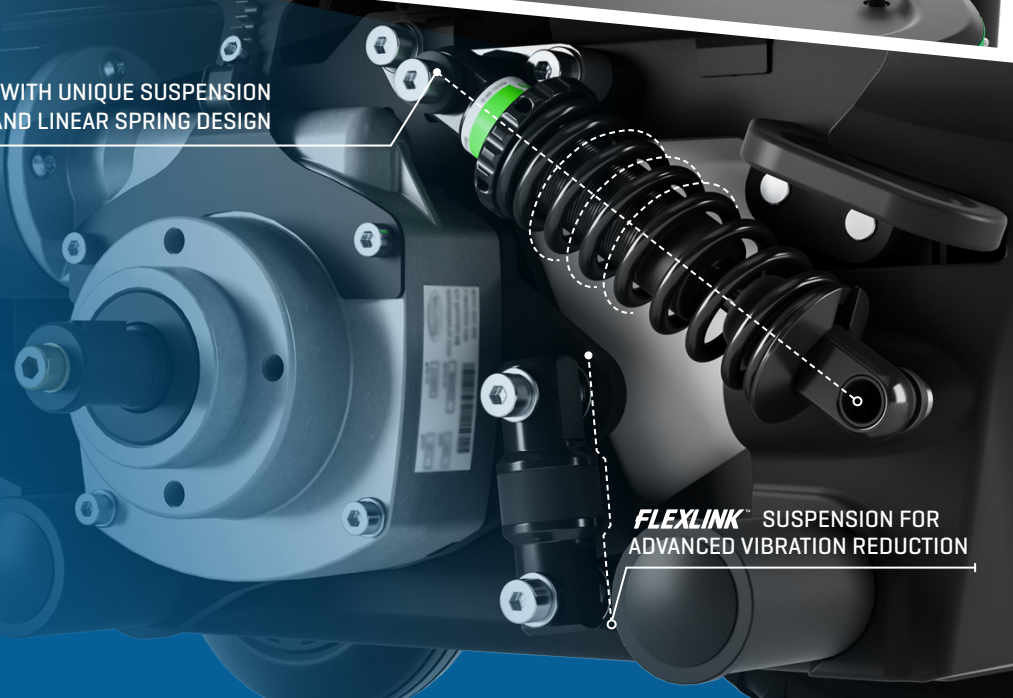


TWO POINTS OF  
CONTACT FOR  
ADDED STABILITY

ADDED STABILITY WITH UNIQUE SUSPENSION  
GEOMETRY AND LINEAR SPRING DESIGN

## PROVEN TECHNOLOGY

Reliability comes standard with proven drive unit technology also found in the M3 and F3 power series. The unique suspension geometry and linear spring design provides a more stable chassis while the vibration dampening FlexLink™ ensures a smooth ride over a variety of terrain.



**FLEXLINK™** SUSPENSION FOR  
ADVANCED VIBRATION REDUCTION

ULTRA LOW SEAT-TO-FLOOR  
HEIGHT STARTING AT 16"



## CASTER GLIDE™

Precision engineered CasterGlide™ technology promotes confidence driving at low speeds, in tight areas, or while using a variety of alternative drive controls.

7" PERFORMANCE CASTER DESIGN +  
ADJUSTMENT FREE FLUTTER DAMPING

### SPECIFICATIONS

Maximum User Weight	300 lbs
Maximum Speed	5 mph
Range	16 miles*
Base Width	24"
Base Length	35.5"
Minimum Turning Radius	20.5"
Ground Clearance	3"
Recommended Battery Type	Group 34
Weight Including Batteries	319 lbs**
Drive Electronics	VR2 PM 90 (Advanced) or PM 70 (Advanced and Basic)
Seat-to-Floor Height	16", 17", 18"

Tilt Options	0° – 50°
Recline Options	85° – 110° (manual)
Legrest Angle	80 – 140° (power) [ >19" seat depth] 90 – 150° (power) [ ≤19" seat depth] 80 – 135° (manual)
Backrest Height	18" – 29" (by 1" incr.)
Seat Depth	14" – 22" (by 1" incr.)
Seat Width	14" – 22" (by 2" incr.)
Armpad Options	2"x10", 2"x14", 4"x10", 4"x13"

**NOTE:** Options vary by province. Please discuss with your sales rep.

\*Specifications may vary based upon configuration. Please refer to your owners manual for warnings and instructions for the safe operation of your wheelchair in a variety of driving conditions.

\*\*The maximum user weight for a seat depth of 14" cannot exceed 165 lbs.

\*Actual driving range will vary based on driving and battery conditions.

\*\*Includes weight of base, curved backrest and battery.